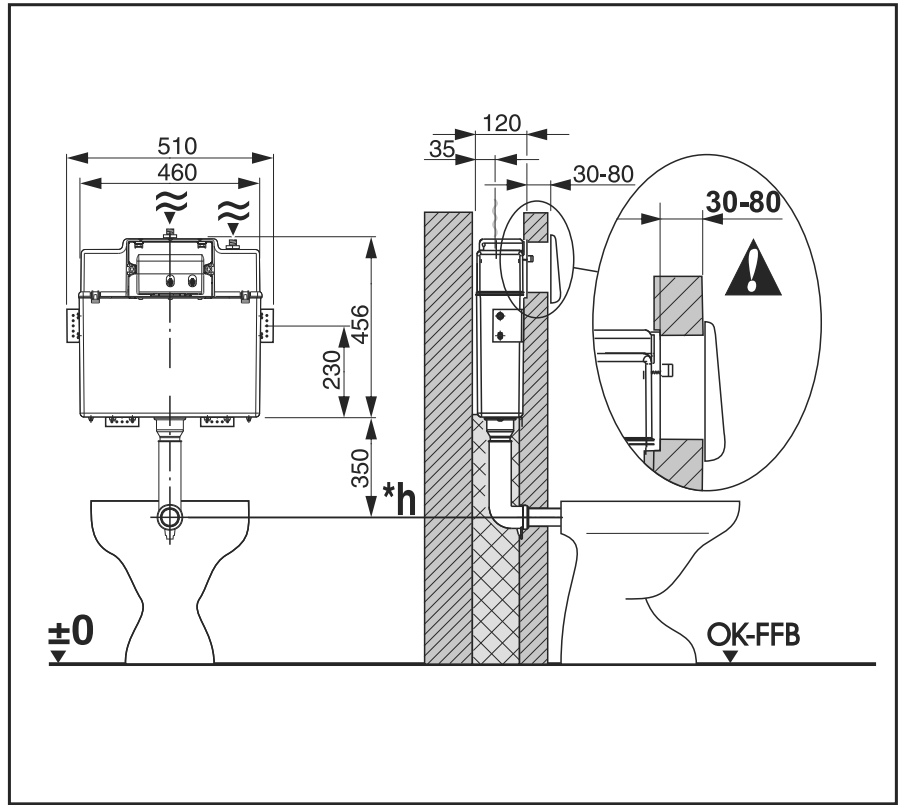
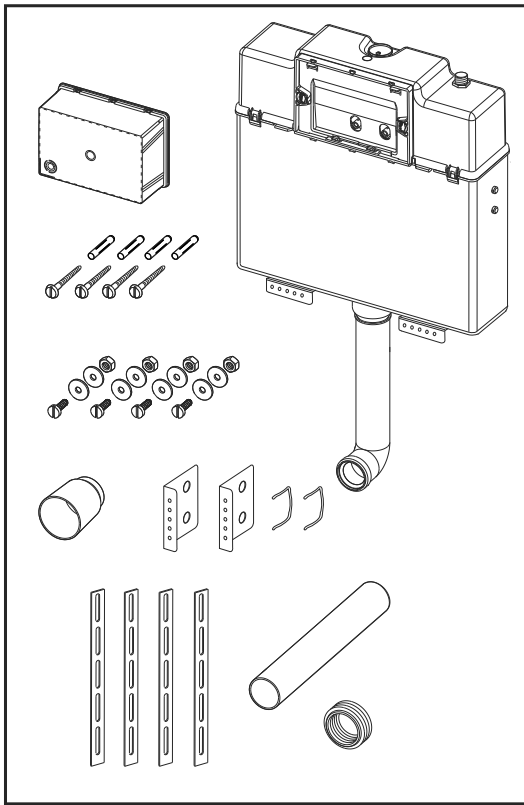
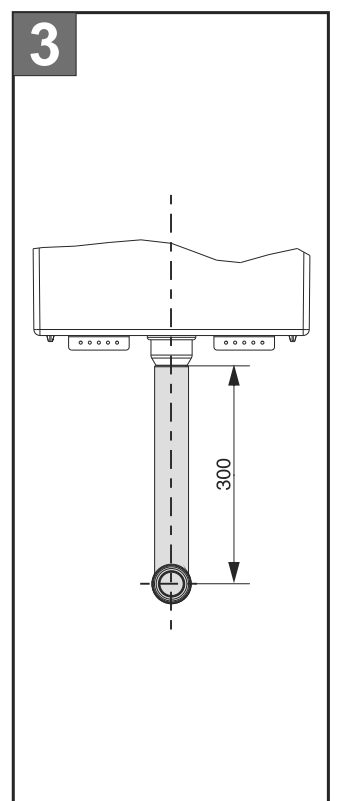
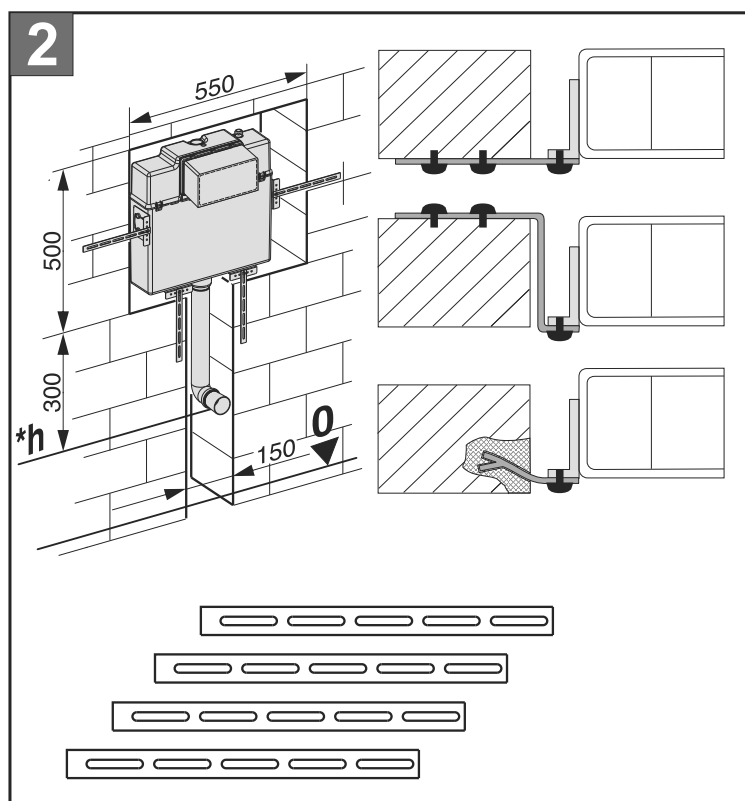
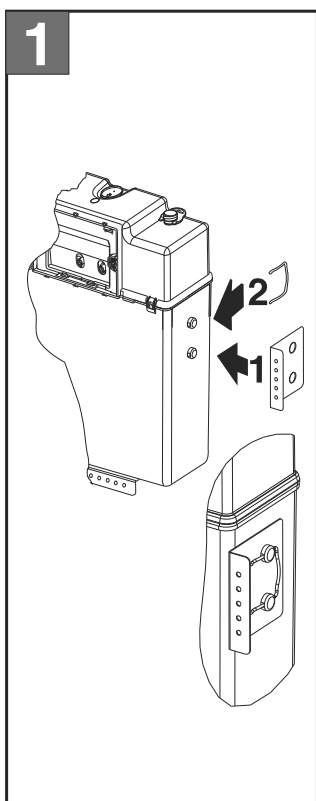




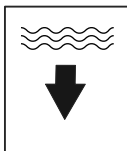
# TANK SET



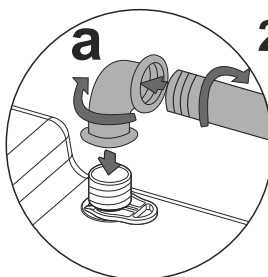
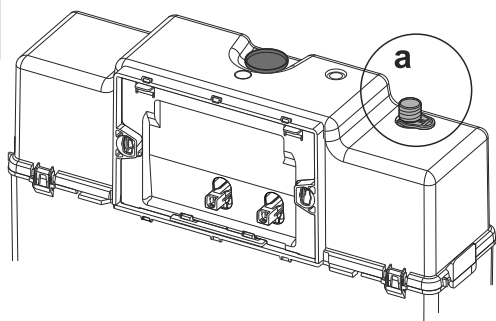
## 1



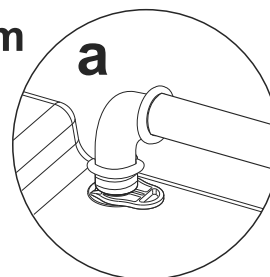
2



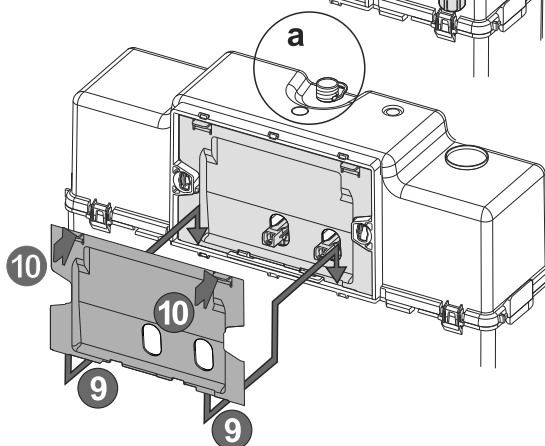
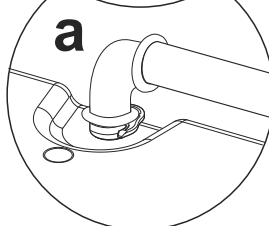
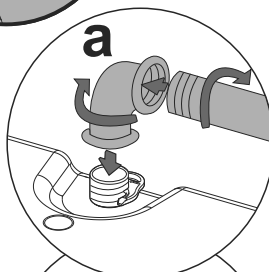
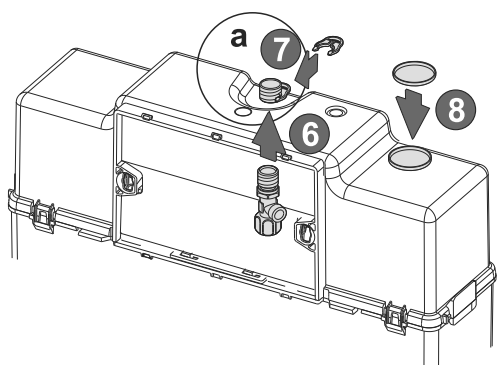
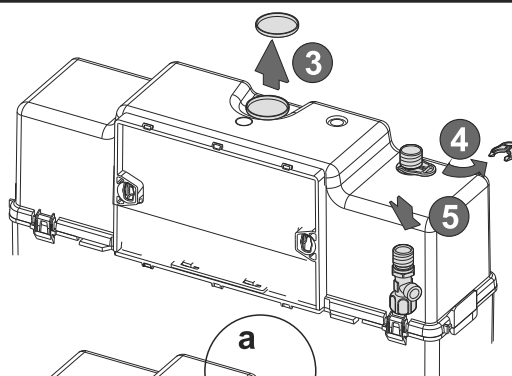
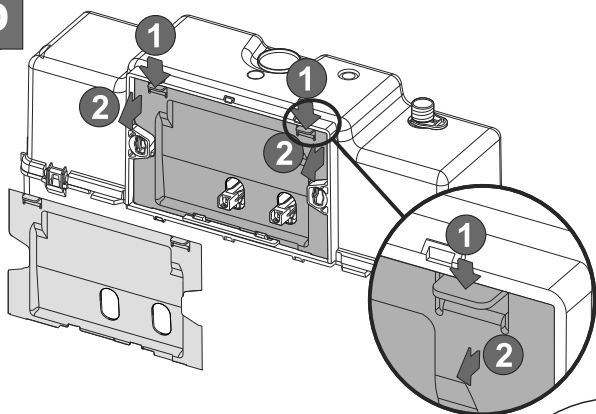
1a



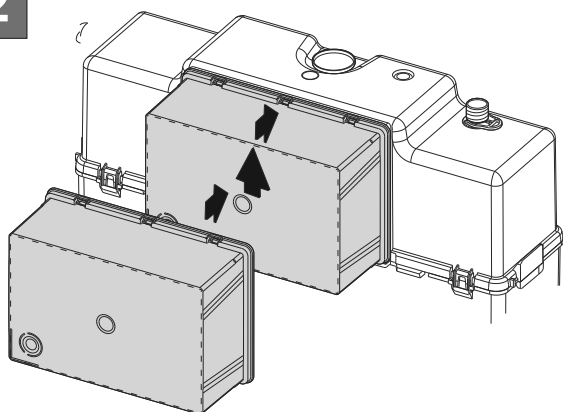
20,955mm  
R 1/2"



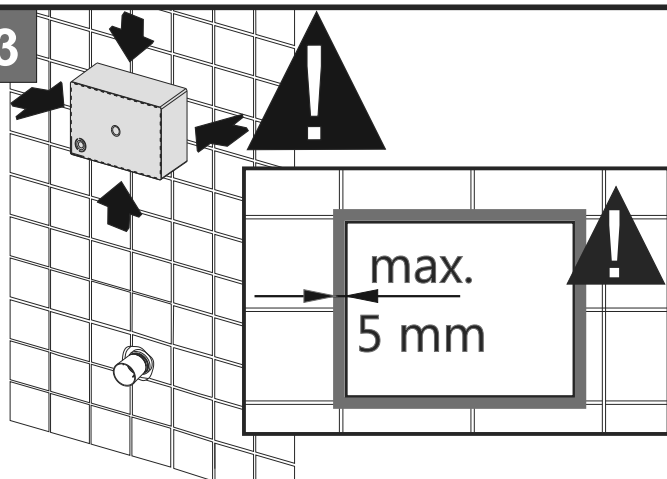
1b



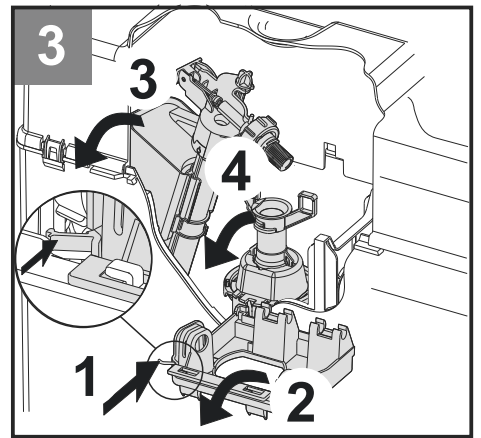
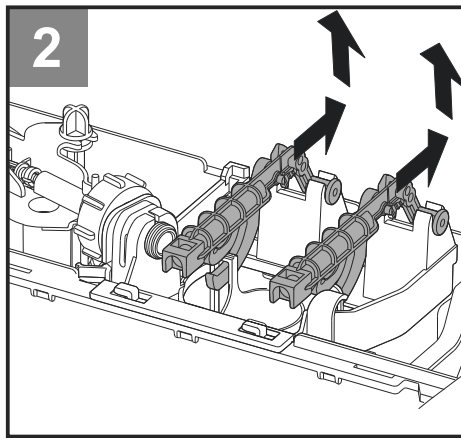
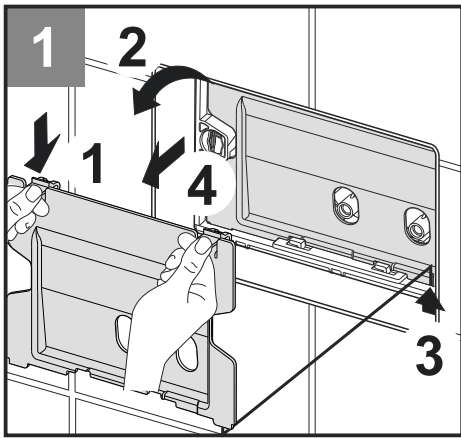
2



3



max.  
5 mm



9L ← 7L ← 6L → 5L / 3L → 4L

